



Rolled Arms Model
New London (6671)

Leather | 2518 - Taupe

NEW HAVEN 6571

Each piece is handmade by skilled craftsmen using a kiln-dried solid wood frame. The New Haven is covered in soft, supple Top Grain Leather on all seating areas and arms rests. Leather split is used on the front rail, sides and back.



Down Feather
Memory Foam
2.25 High Density Foam
Pocket Coils
1.80lbs Density Foam



- Leather: Top grain leather with leather split on the front, sides and back
- Seat Cushion: 2.25 lbs high density foam with individually enclosed coil springs cushion core
- Frame: Foam padded sides and back, L-braced kiln-dried solid wood and glued corner block for extra strength
- Seating Suspension: No-Sag spring platform to ensure support and comfort

Available in 15 custom colors at select dealers

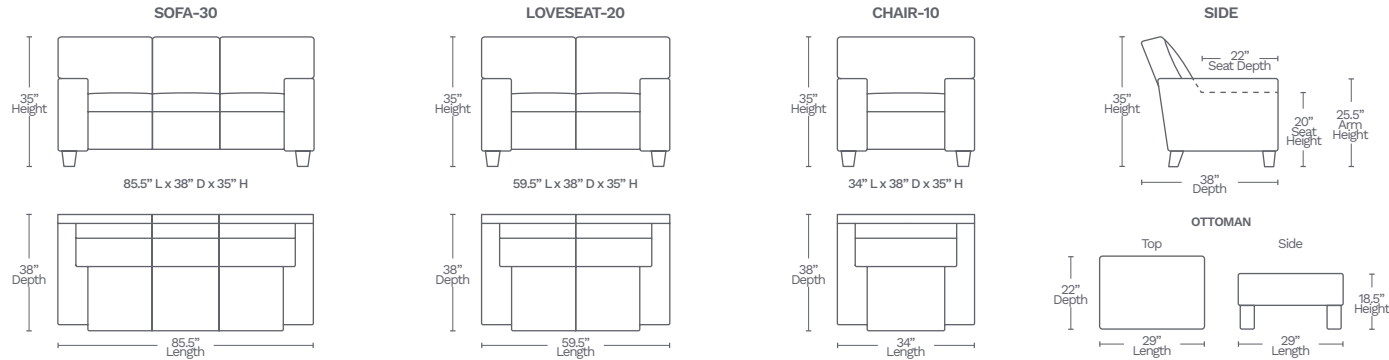
email sales.us@amaxleather.com for a complimentary swatch



Top Grain Leather

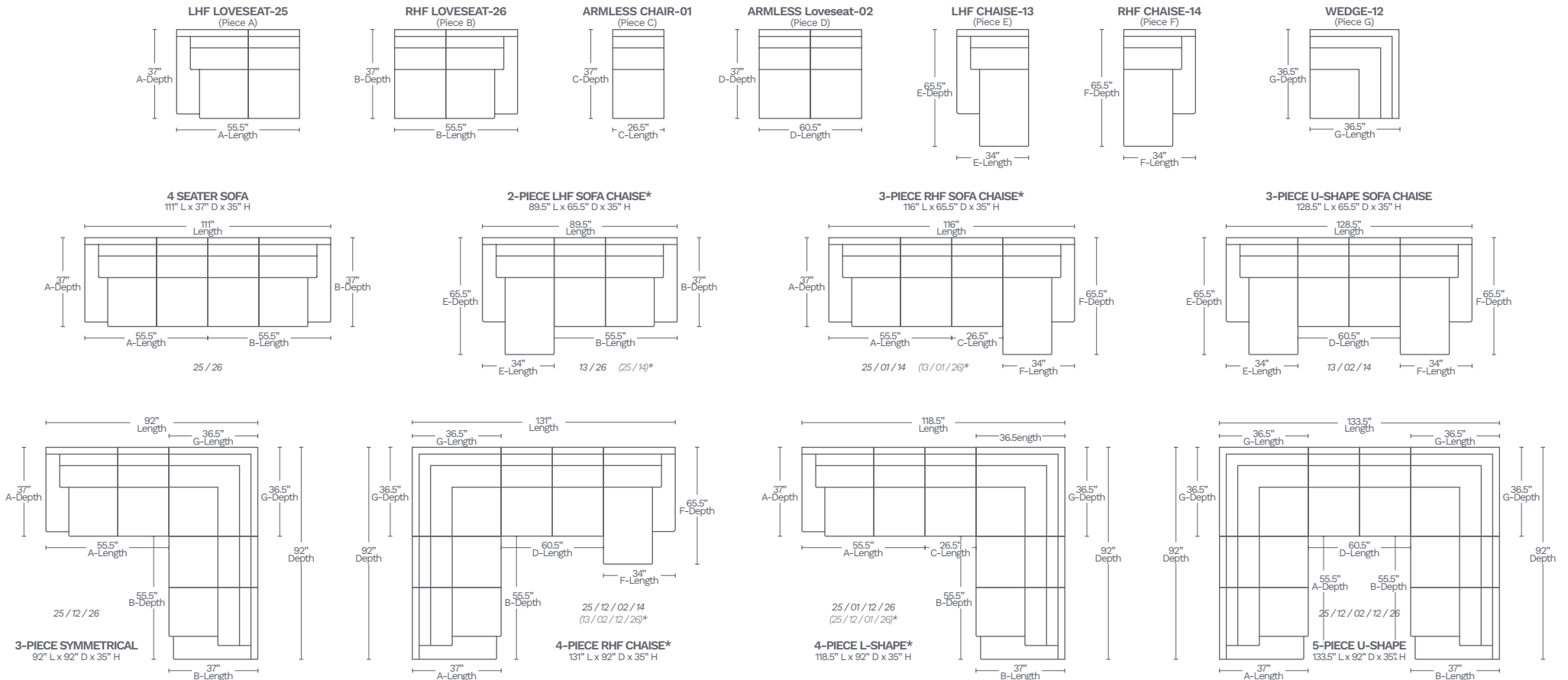
Top Grain Sueded Performance Leather

STATIONARY ITEMS (6571 - Track Arm | 6671 - Roll Arm)



STATIONARY MODULAR SECTIONAL (6951SECT - Track Arm | 6966SECT Roll Arm)

**Some configurations can be mirrored*



All dimensions are approximate and subject to change without notice

Copyright © 2022 Amax Leather Ltd.