



Leather | 2071 - Slate

## DANI SECTIONAL 6819

Each piece is handmade by skilled craftsmen using a kiln-dried solid wood frame. The Dani Sectional is covered in soft, supple Full top-grain leather on all seating areas and arms rests. Full top-grain leather is used on the front rail, sides and back.



Memory Foam

2.25 High density Foam

Pocket Coils

1.80lbs Density Foam



- Leather: Full top grain leather on all surfaces
- Seat Cushion: 2.25 lbs high density foam with individually en-cased coil springs cushion core
- Frame: Foam padded sides and back, L-braced kiln-dried solid wood and glued corner block for extra strength
- Seating Suspension: No-Sag spring platform to ensure support and comfort

Available in 15 custom colors at select dealers

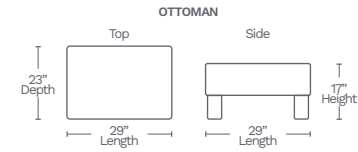
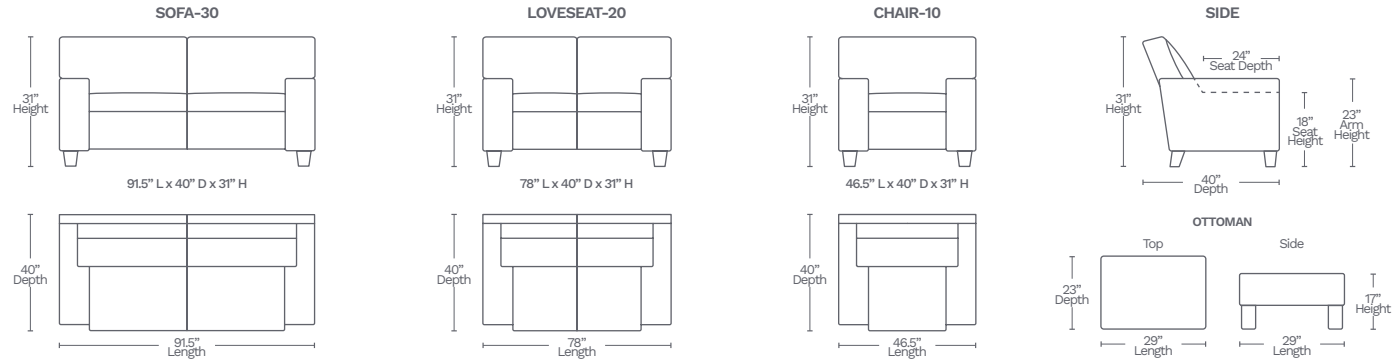
email sales.us@amaxleather.com for a complimentary swatch



Top Grain Leather

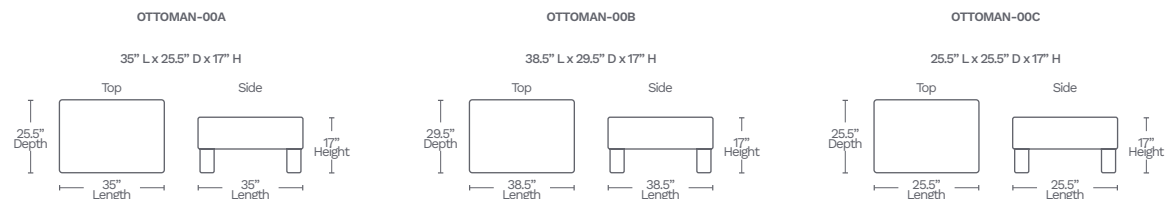
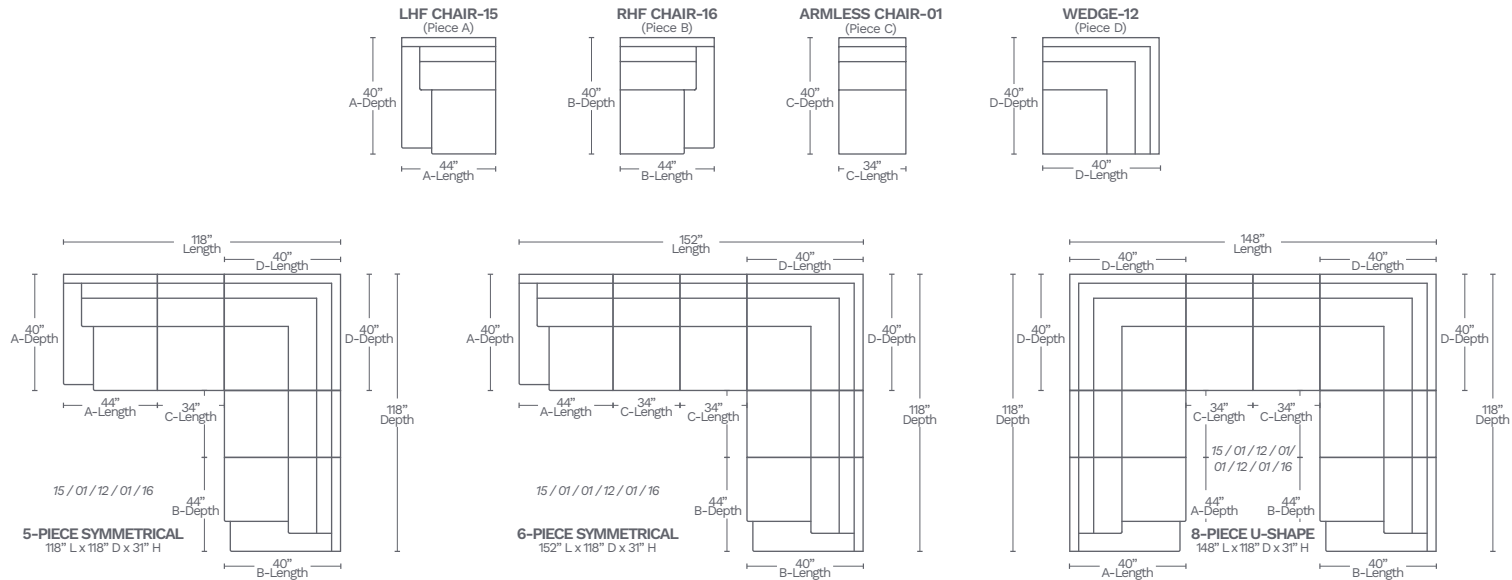
Top Grain Sueded Performance Leather

STATIONARY ITEMS (6816)



STATIONARY MODULAR SECTIONAL (6819SECT)

*\*Some configurations can be mirrored*



*Other configurations available*

All dimensions are approximate and subject to change without notice

Copyright © 2022 Amax Leather Inc.